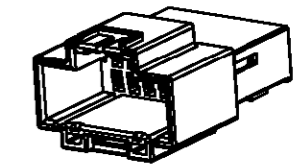
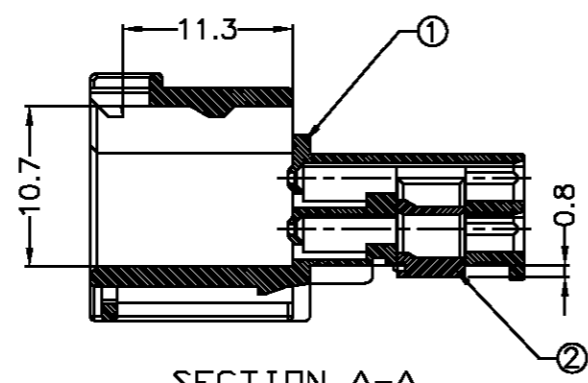
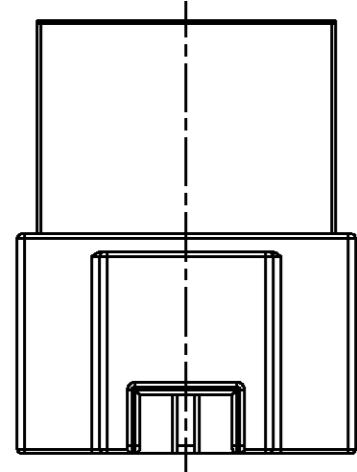


LDC		DIST		REVISIONS			
P	LTR	DESCRIPTION		DATE	DWN	APVD	
	□	RELEASED(FC00-0050-02)		28, MAR, '02	HS	CS	



3D VIEW  
(SCALE 1/1)

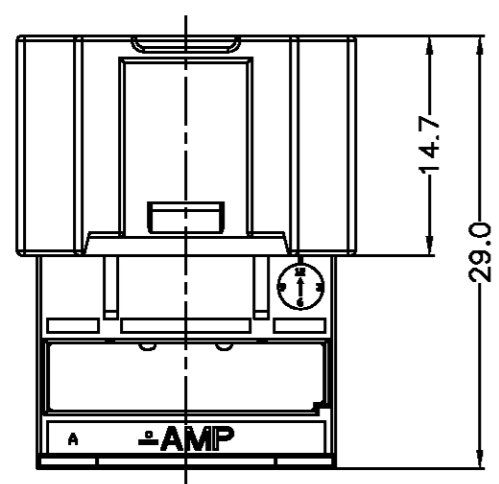
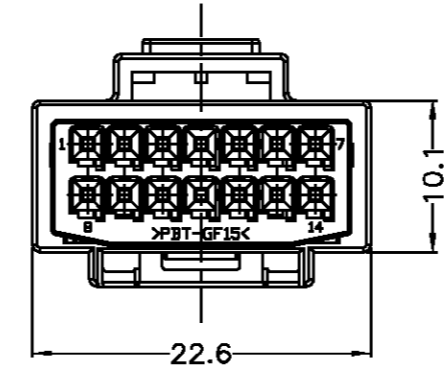
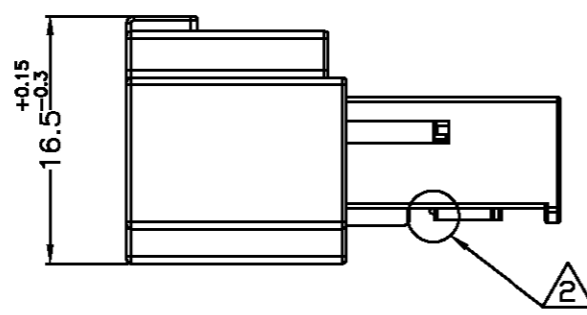
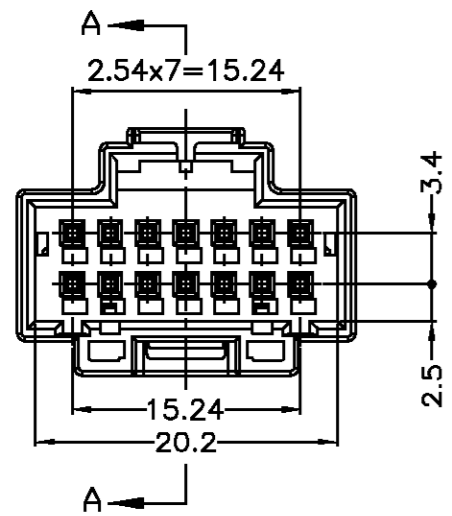
NOTES

1. GENERAL TOLERANCE IS ±0.3
2. CONDITION OF DELIVERY : DBL IN 1ST LOCKING POSITION
3. APPLIED CLIP HSG:

Part NO.	PANEL THICKNESS	PANEL HOLE SIZE
368165	0.7~1.6mm	
368373	0.5~2.0mm	

4. APPLIED PLUG ASS'Y P/N: 936124
5. APPLIED TAB CONTACT P/N:

Part NO.	928918	963716
WIRE SIZE(mm <sup>2</sup> )	0.25~0.5	0.75



1	1	936128-1	DBL HSG	PBT GF15	WHITE	2
1		936127-2	CAP HSG	PBT GF15	YELLOW	1
	1	936127-1	CAP HSG	PBT GF15	BLACK	1
Q' TY		P/N	DESCRIPTION	MATERIAL	COLOR	NO

DIMENSIONS: mm 3rd ANGLE PROJECTION		TOLERANCES UNLESS OTHERWISE SPECIFIED: 0 PLC ± 1 PLC ± 2 PLC ± 3 PLC ± 4 PLC ± ANGLES ±		DWN : HS BAE		<b>tyco</b> Electronics AMP KOREA, kyungsan, korea	
				CHK : BM JANG			
MATERIAL SEE TABLE		FINISH -----		APVD : CS LEE		NAME MQS 14P CAP ASSEMBLY	
				PRODUCT SPEC -----			
				APPLICATION SPEC -----		RESTRICTED TO	
				WEIGHT -----		SIZE	CAGE CODE
				A3		00779	C= 936126
				SCALE 2/1		SHEET 1	OF 1
						REV 0	